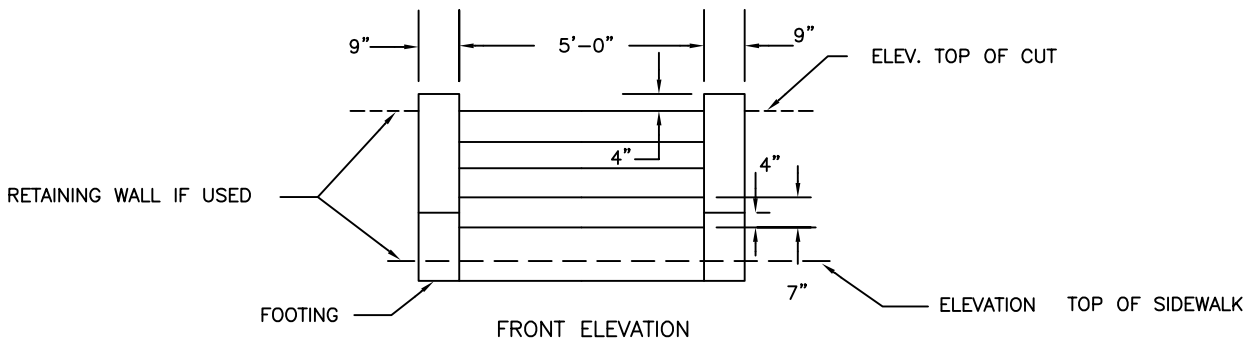
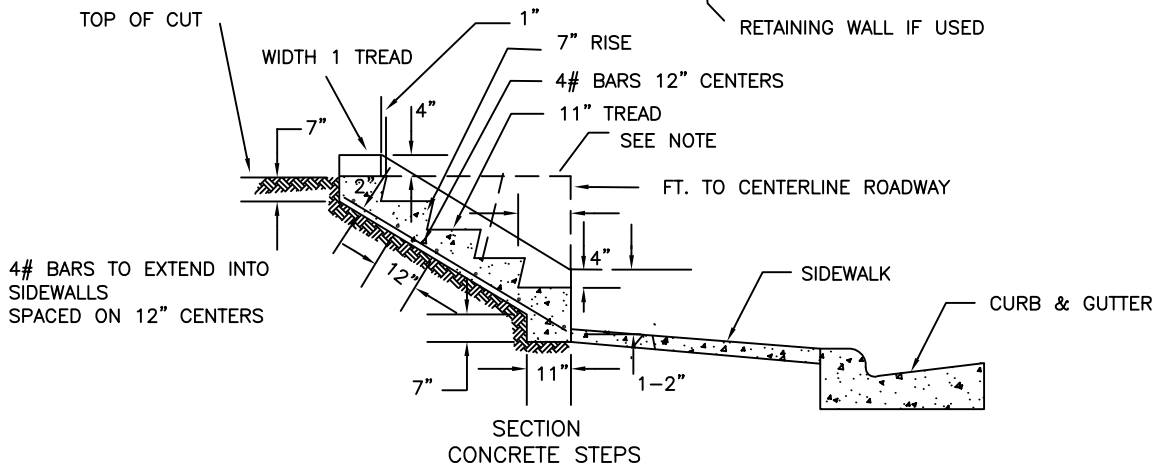
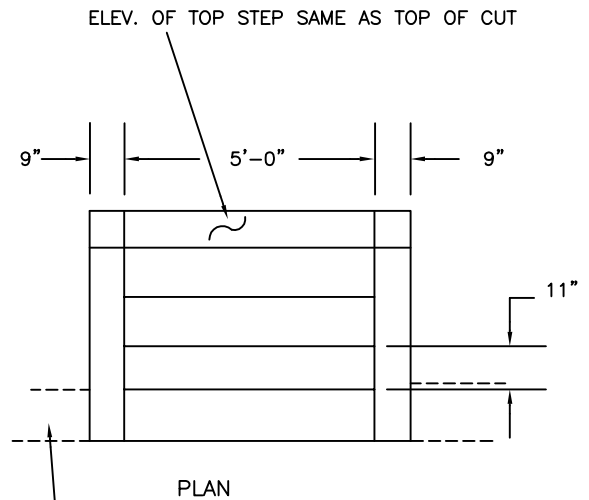


CUBIC YARDS IN STANDARD CONCRETE STEPS					
NO. STEPS	4' WIDE	5' WIDE	6' WIDE	7' WIDE	ADDITIONAL CU. YDS. PER 1 FT. WIDTH
2	0.43	0.49	0.55	0.61	0.06
3	0.62	0.71	0.80	0.88	0.09
4	0.82	0.93	1.05	1.16	0.12
5	1.01	1.15	1.30	1.44	0.14
6	1.20	1.37	1.55	1.72	0.17
7	1.39	1.59	1.79	2.00	0.20
8	1.58	1.81	2.04	2.27	0.23
9	1.77	2.03	2.29	2.55	0.26
10	1.97	2.25	2.54	2.83	0.29
ADDITIONAL STEP INCREMENT	0.19	0.22	0.25	0.28	0.03



NOTES:

CLASS "B" CONCRETE TO BE USED THROUGHOUT FOR CONCRETE STEPS.

LOCATION AND QUANTITIES SHOWN ARE APPROXIMATE ONLY. EXACT LOCATION AND QUANTITIES WILL BE DETERMINED BY THE CITY ENGINEER.

WHERE STEPS ARE CONSTRUCTED THRU RETAINING WALLS, THE SIDE WALLS OF STEPS ARE TO BE RAISED LEVEL WITH TOP OF RETAINING WALL, SEE DASHED LINES.



DATE 8/16/04	REVISED 8/18/04	SCALE NOT TO SCALE	DETAIL R-11
-----------------	--------------------	-----------------------	----------------

STANDARD CONCRETE STEPS
CITY OF BURLINGTON, NORTH CAROLINA
ENGINEERING DEPARTMENT